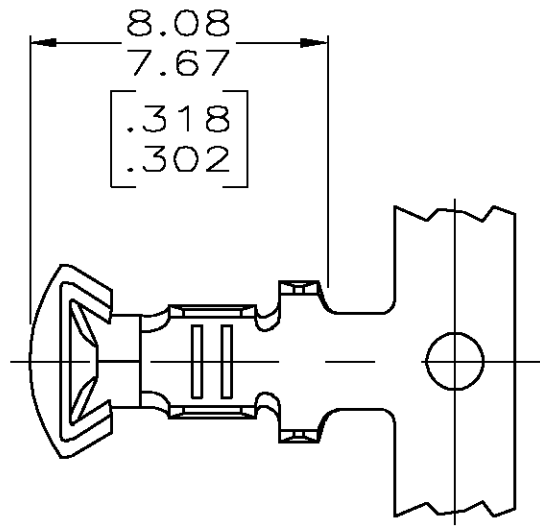
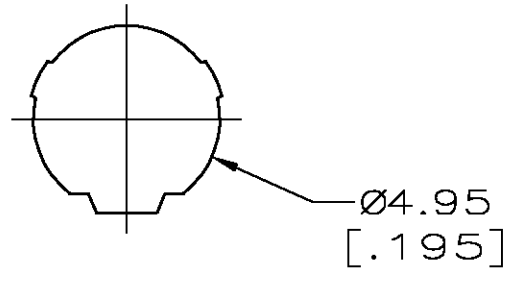
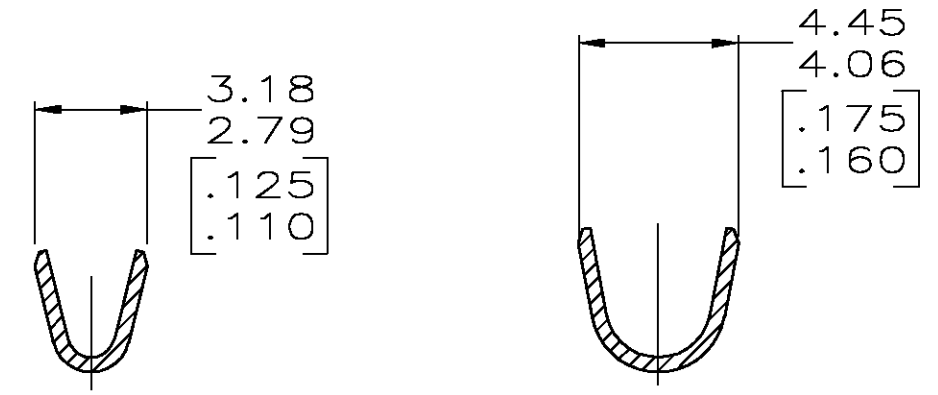
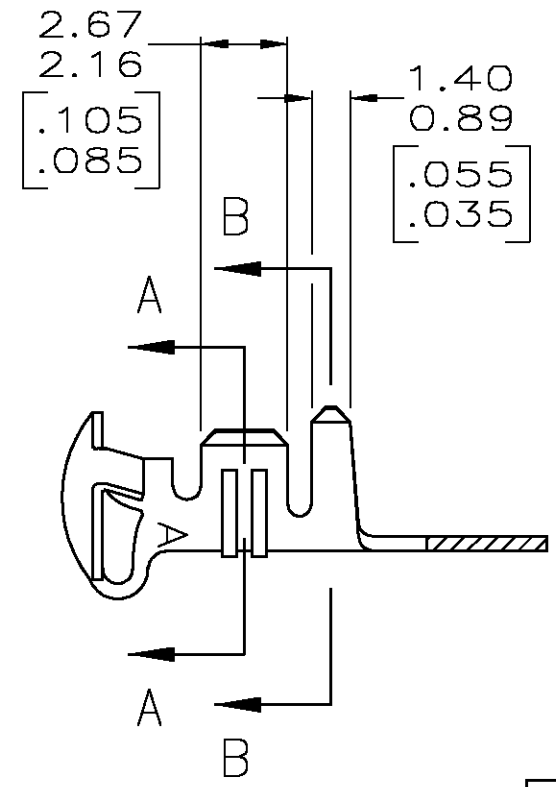


THIS DRAWING IS UNPUBLISHED. RELEASED FOR PUBLICATION
 © COPYRIGHT BY TYCO ELECTRONICS CORPORATION. ALL RIGHTS RESERVED.

LOC	DIST	REVISIONS					
		P	LTR	DESCRIPTION	DATE	DWN	APVD
AF	50		H	REV PER 0G3A-0736-03	14NOV03	JR	EH



1. WIRE RANGE: 0.5 - 1.4 mm² [20 - 16 AWG].
2. INSULATION RANGE: 2.29 - 3.18 [.090 - .125] DIA.
3. DIMENSION IN BRACKETS ARE IN INCHES.



.000080 MIN TIN PLATED	61165-2
-	61165-1
FINISH	PART NO

THIS DRAWING IS A CONTROLLED DOCUMENT.		DWN T. BECK 2-18-94	Tyco Electronics Corporation Harrisburg, PA 17105	
DIMENSIONS: MM [INCHES]		CHK R. SWING 2-18-94		
TOLERANCES UNLESS OTHERWISE SPECIFIED:		APVD R. GRAY 2-18-94	NAME BUTTON CONTACT	
0 PLC ± - 1 PLC ± - 2 PLC ± 0.13 [.005] 3 PLC ± - 4 PLC ± - ANGLES ± -		PRODUCT SPEC -	-	
MATERIAL 0.41 [.016] BRASS		FINISH SEE TABLE	APPLICATION SPEC -	RESTRICTED TO -
-		WEIGHT -	SIZE A3	CAGE CODE 00779
CUSTOMER DRAWING		DRAWING NO C-61165		REV H
SCALE 5:1		SHEET 1 OF 1		